

# PB Botany



## 4000 BHP ASD Harbour & Ocean Towing Tug



### General Information

Yard	Imamura Shipbuilding, Kure, Japan
Built	2000
Port of Registry, Flag	Sydney, Australia
Call Sign	VJN3219
Official Number	858469
Classification Society	Lloyds
IMO No.	9221401
MMSI No.	503547000

### Machinery

Main Engines	2x Niigata 6L26 HLX
Horsepower	4000 BHP
Bollard Pull	54.4 mt
ASD Propellers	2x Niigata ZP-31
Winches	2x Kitagawa Kogyo, 90 T brake, Fore & Aft
Line Pull (Fore)	2 mt at 25 m/min
Line Pull (Aft)	9 mt at 10 m/min
Drum Capacities	110m x 96mm mooring line / 750m x 45 mm tow wire

### Dimensions

Length Overall	29.0 m
Beam, Moulded	9.5 m
Max Operating Draft	3.81 m
GRT/NRT	297 mt/88 mt

### Capacities & Performance

Fuel	134,340 litres
Potable Water	36,650 litres
Max Speed	13 knots

**Accommodation** 2x2 + 1x4 = 8 berths

### Communication Equipment

A2

### Fire Fighting

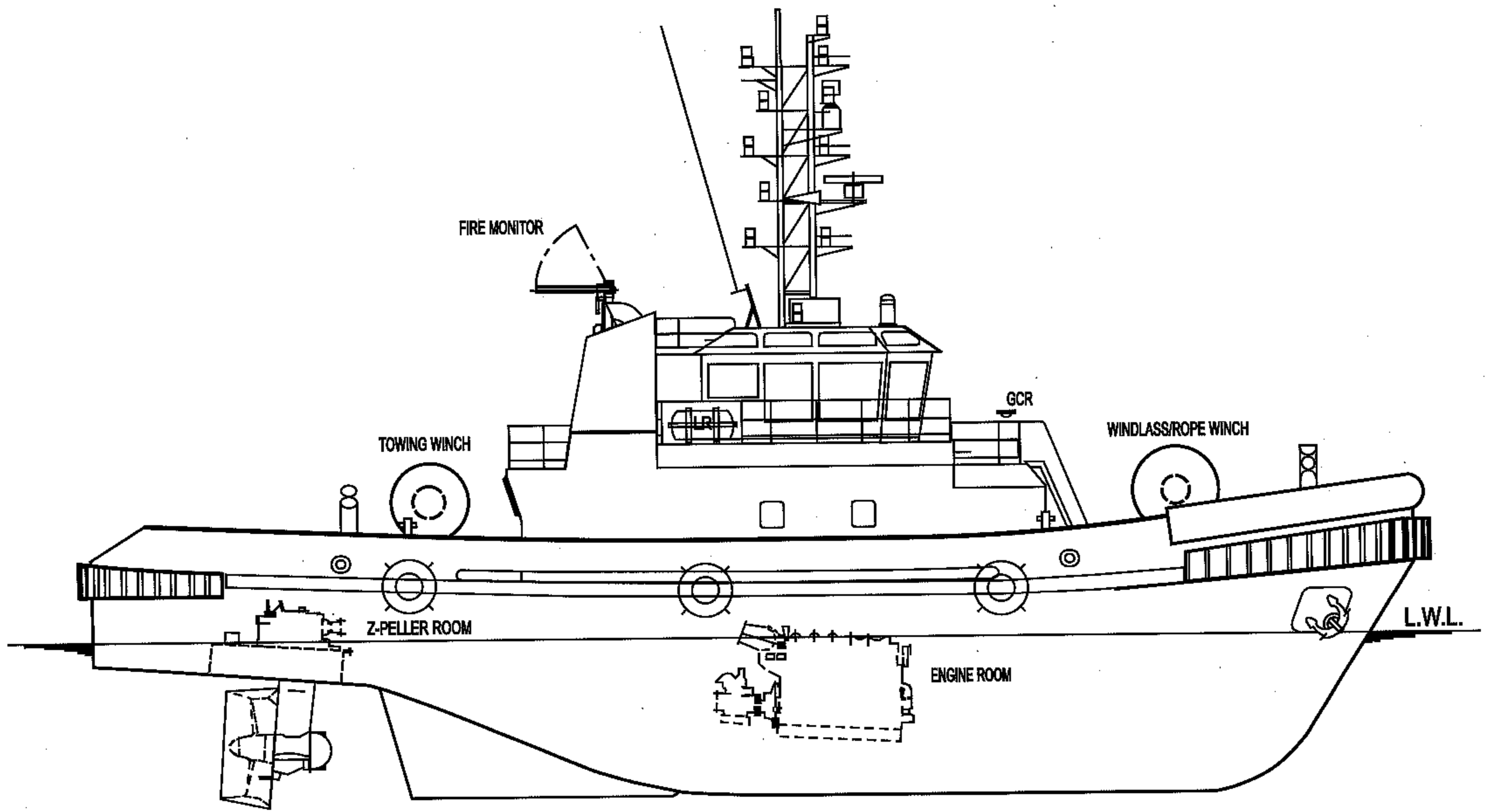
Fire Pump	1x Kashiwa CP 150-50 Diesel Driven Pump 360m <sup>3</sup> /hour
Fire Monitors	2x Monitors 360m <sup>3</sup> /hour

Updated: 12.5.10

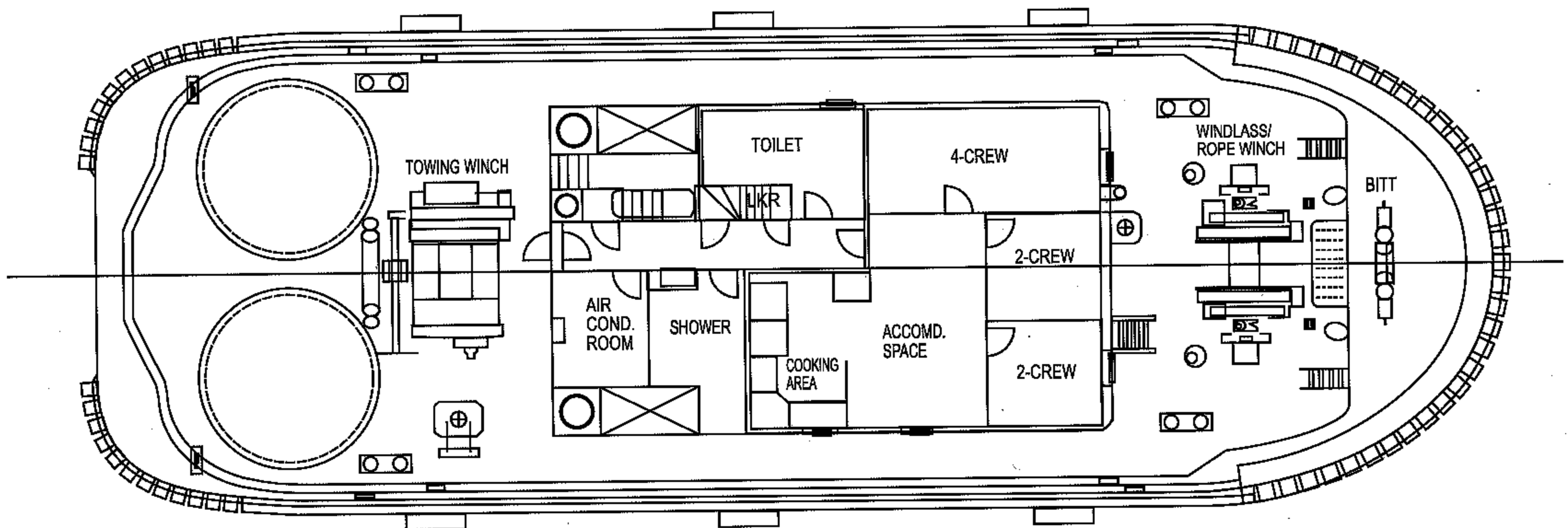
### PB Towing

7/F, Hutchison House, 10 Harcourt Road, Central, Hong Kong.

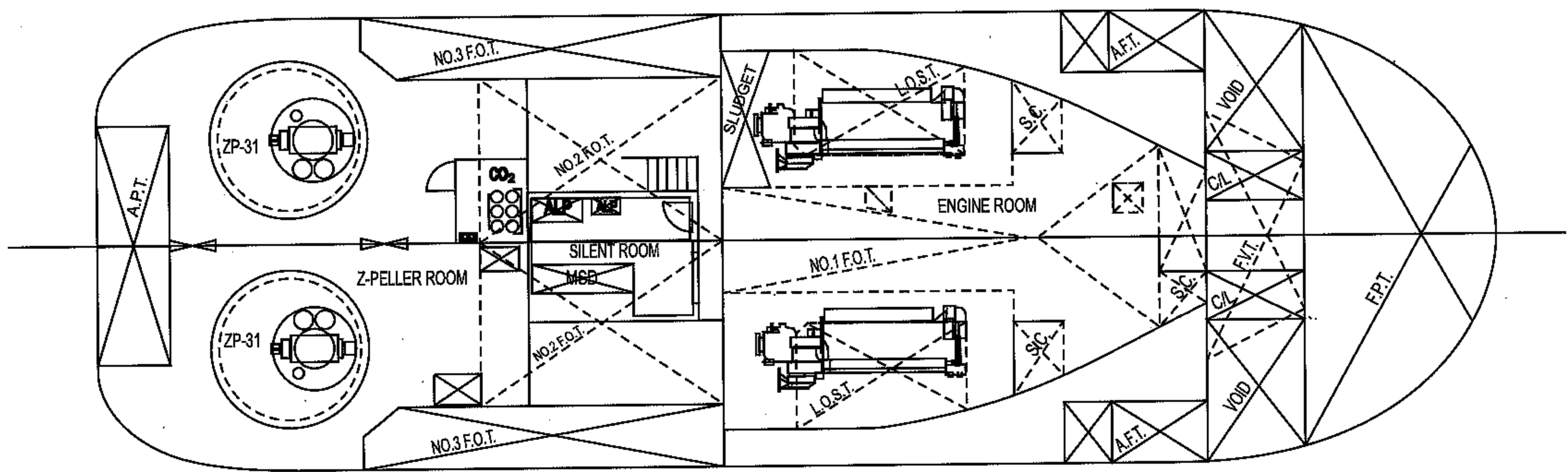
Tel: (+852) 2233 7000 E-mail: [pbtowage@pacificbasin.com](mailto:pbtowage@pacificbasin.com) Website: [www.pbtowage.com](http://www.pbtowage.com)



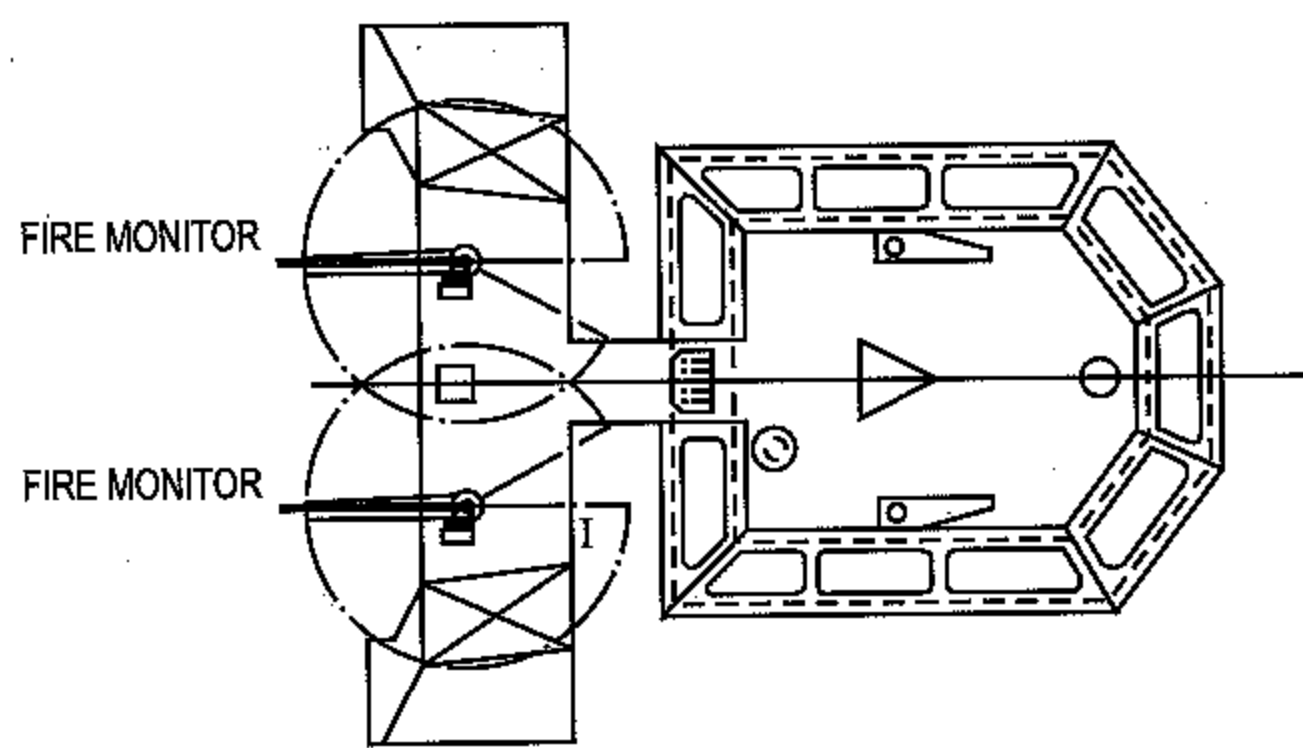
PROFILE



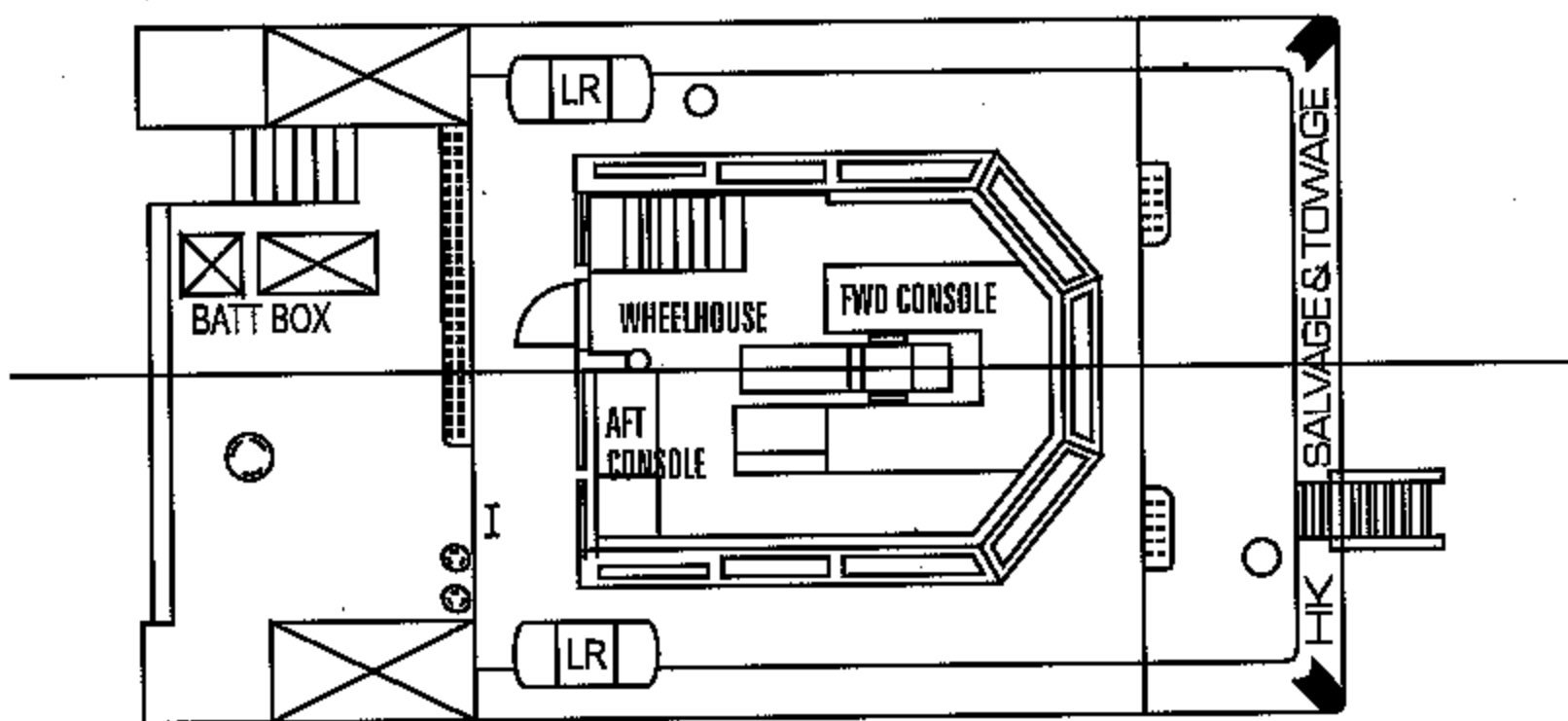
UPPER DECK PLAN



BOTTOM PLAN



WHEELHOUSE TOP  
(SHOWING PANORAMIC WINDOW LAY-OUT)



NAV. BRIDGE DECK  
(FOR ONE MAN BRIDGE OPERATION)