

# PB Margaret



## 3000 BHP ASD Harbour & Coastal Towing Tug



### General Information

Yard	Imamura Shipbuilding, Kure, Japan
Built	1991
Port of Registry, Flag	Fremantle, Australia
Call Sign	VJN3427
Official Number	859143
Classification Society	Bureau Veritas
IMO No.	9016117
MMSI No.	503351800

### Dimensions

Length Overall	24.6 m
Beam, Moulded	8.5 m
Draft, Moulded	3.5 m
GRT/NRT	188 mt/55 mt

**Accommodation** 3x2 = 6 berths

### Machinery

Main Engines	2x Niigata 6L25CXE
Horsepower	3000 BHP
Bollard Pull	37 mt
ASD Propellers	2x Niigata ZP-2A
Fore Winch	Kitagawa Kogyo, 60 mt brake.
Line Pull	2 mt at 25 m/min
Mooring Line	110m x 96mm
Towing Hook	40 mt

### Capacities & Performance

Fuel	53,600 litres
Potable Water	14,200 litres
Max Speed	12 knots

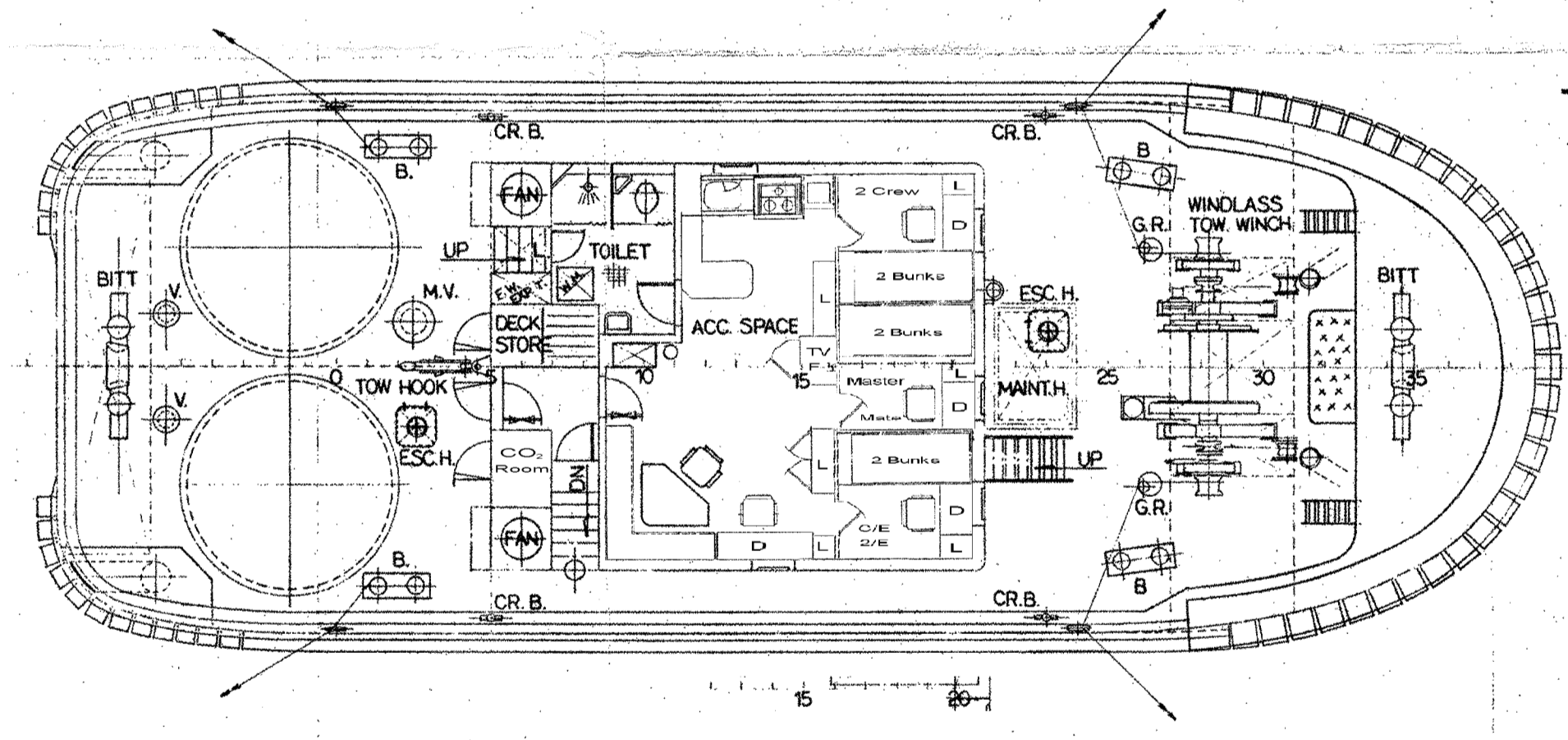
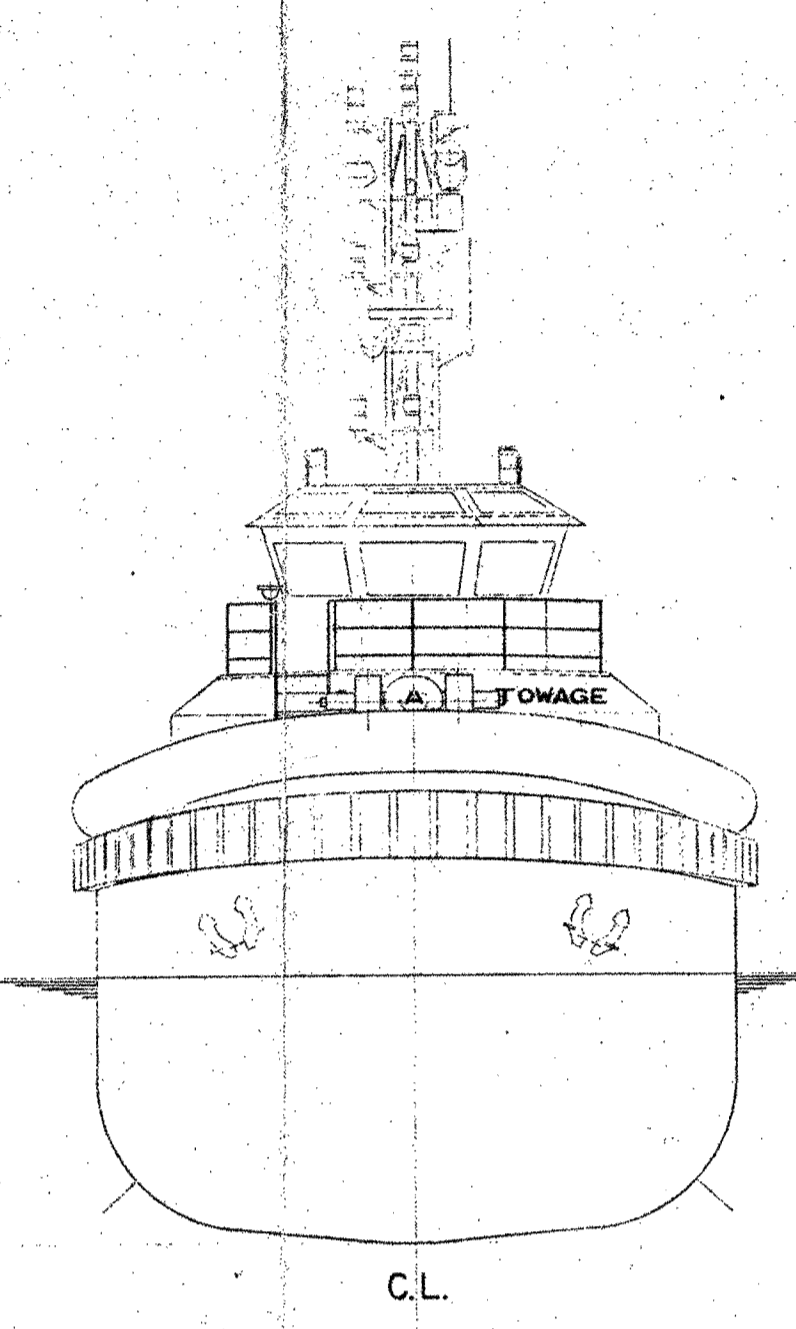
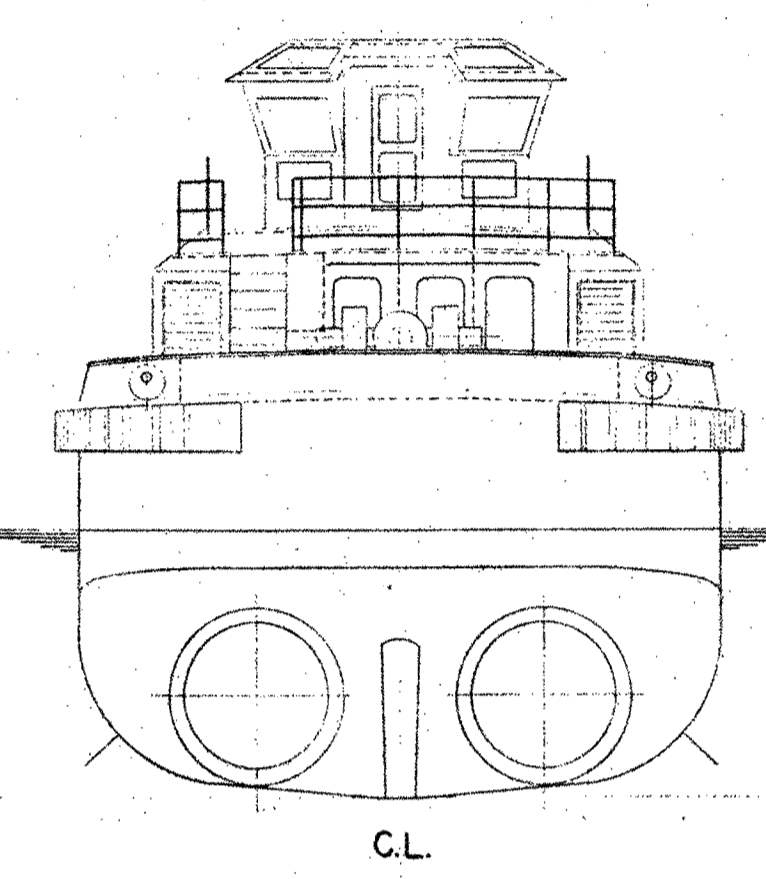
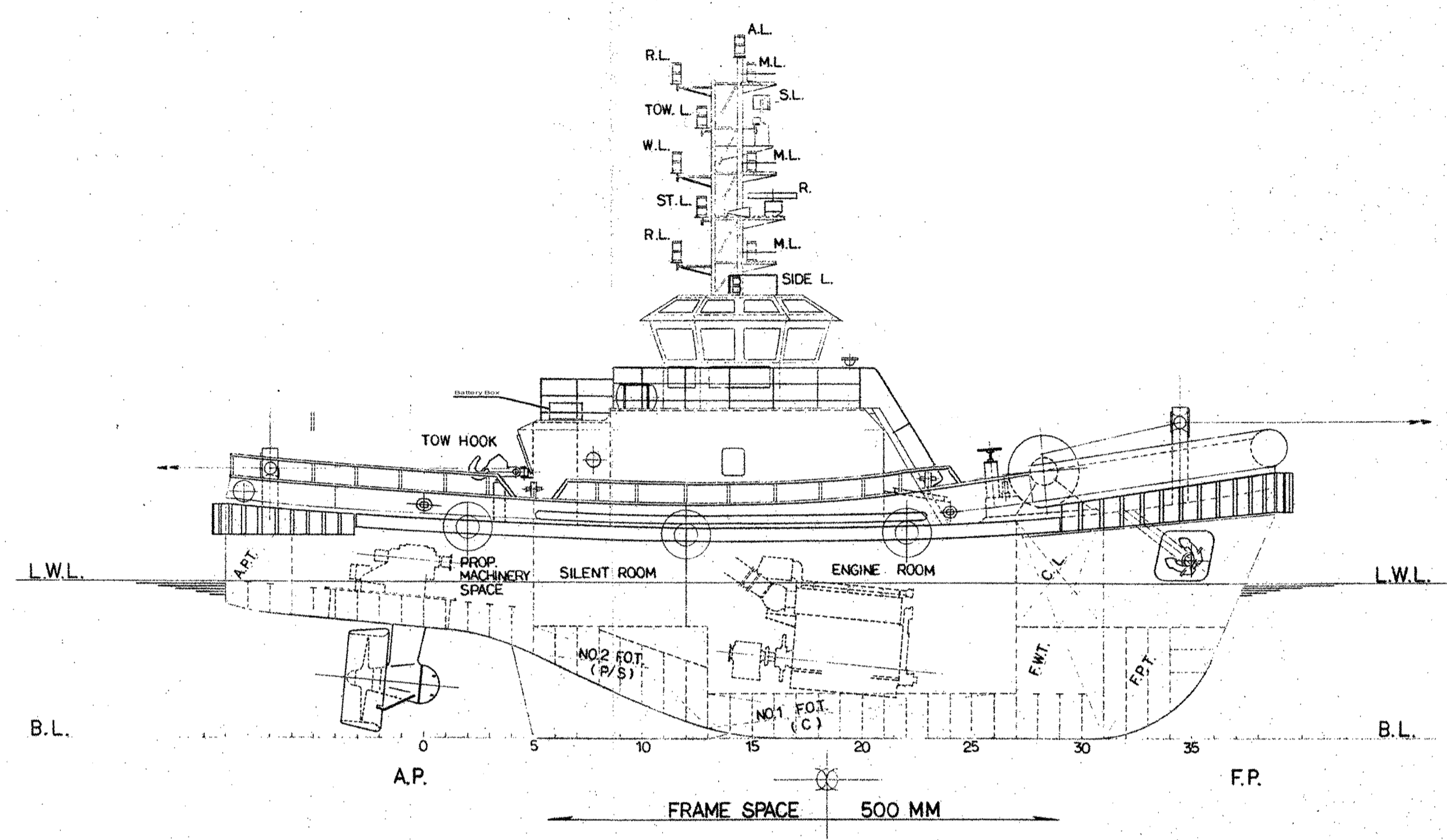
### Communication Equipment

A1

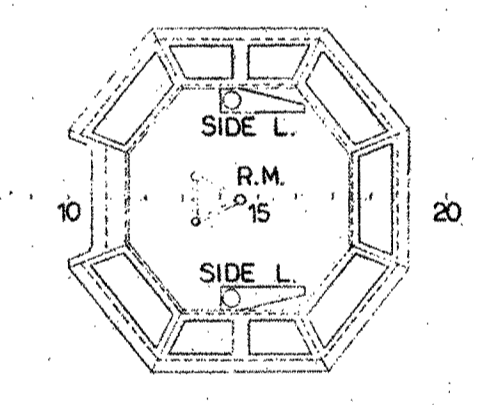
### PB Towage

7/F, Hutchison House, 10 Harcourt Road, Central, Hong Kong.

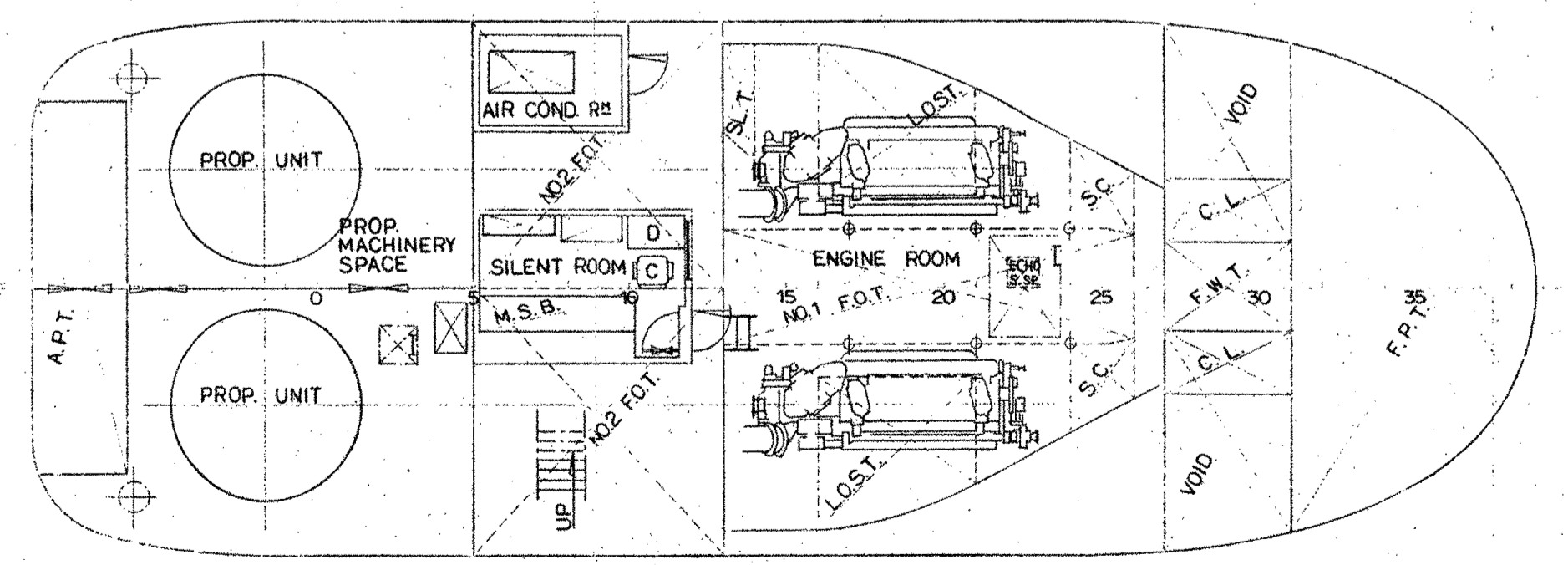
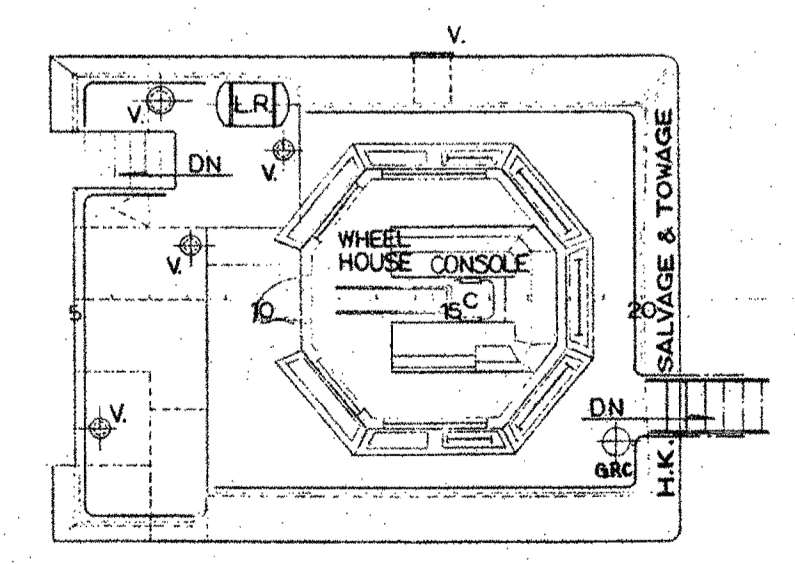
Tel: (+852) 2233 7000 E-mail: [pbtowage@pacificbasin.com](mailto:pbtowage@pacificbasin.com) Website: [www.pbtowage.com](http://www.pbtowage.com)



WHEELHOUSE TOP



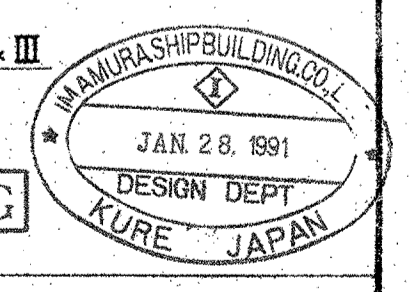
NAV. BRIDGE DECK



PRINCIPAL PARTICULARS

LENGTH (O.A.)	ABT. 24 <sup>M</sup> 60
LENGTH (B.P.)	19 <sup>M</sup> 00
BREADTH (MLD)	8 <sup>M</sup> 50
DEPTH (MLD)	4 <sup>M</sup> 70
DRAFT (DES. MLD)	3 <sup>M</sup> 50
GROSS TONNAGE	188 <sup>T</sup> 12
MAIN ENGINE	DIESEL 1500 <sup>PS</sup> x 2 SETS
PROPELLER	NIIGATA Z-PELLER ZP-2A
COMPLEMENT	6 PERSONS
TRIAL SPEED	12.158 KNOTS
BOLLARD PULL	MEAN MAX. 37.3 TONS
CLASS	BV I3/3E, TUG, COASTAL WATERS
NAVIGATION AREA	COASTAL WATERS & H.K. PLYING LIMITS I, II & III

FINISHED DRAWING



S. NO.	350/351	S. NAME	PB MARGARET
CLASS	BV	OWNER	PB TOWAGE
MANAGER	<i>[Signature]</i>	3,000 PS BERTHING TUG	
HEAD	<i>[Signature]</i>	GENERAL	
CHECKED BY	<i>[Signature]</i>	ARRANGEMENT	
DRAWN BY	<i>[Signature]</i>	SCALE	ITEM
DATE DRAWN	24/6/2009	1/100	Revision 1
IMAMURA SHIPBUILDING CO., LTD. KURE, JAPAN			

1