

# PB Sabina



## 1200 BHP Multi-purpose Workboat



### General Information

Yard	Damen Shipyards, Changde, China
Built	2009
Port of Registry, Flag	Fremantle, Australia
Call Sign	VJN3453
Official Number	859223
Classification Society	Bureau Veritas

### Dimensions

Length Overall	16.56 m
Beam, Moulded	5.54 m
Max Operating Draft	2.54 m
GRT/NRT	46/14

**Accommodation** 1x4 = 4 berths

### Machinery

Main Engines	2x Caterpillar C18 TA/B
Horsepower	1200 BHP
Bollard Pull	16 mt
Generators	1x Caterpillar, 18kW
Towing Hook	25 mt
Deck crane	0.5 mt at 6.9 m (Helia)
Fendered Pusher Bow	

### Capacities & Performance

Fuel	12 mt
Potable Water	1.1 mt
Sewage Tank	0.7 mt
Max Speed	11 knots

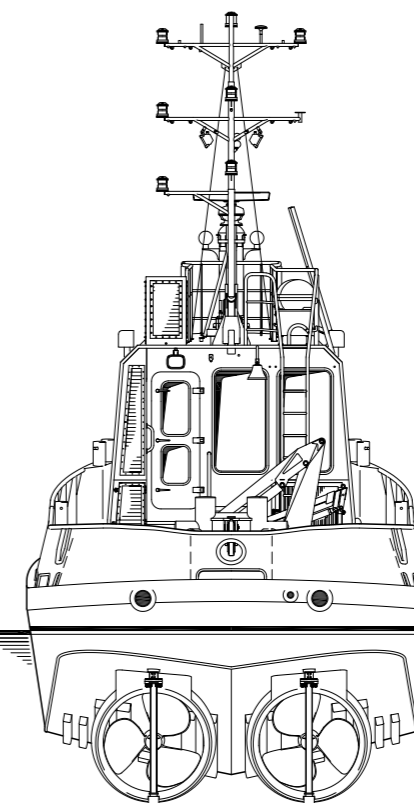
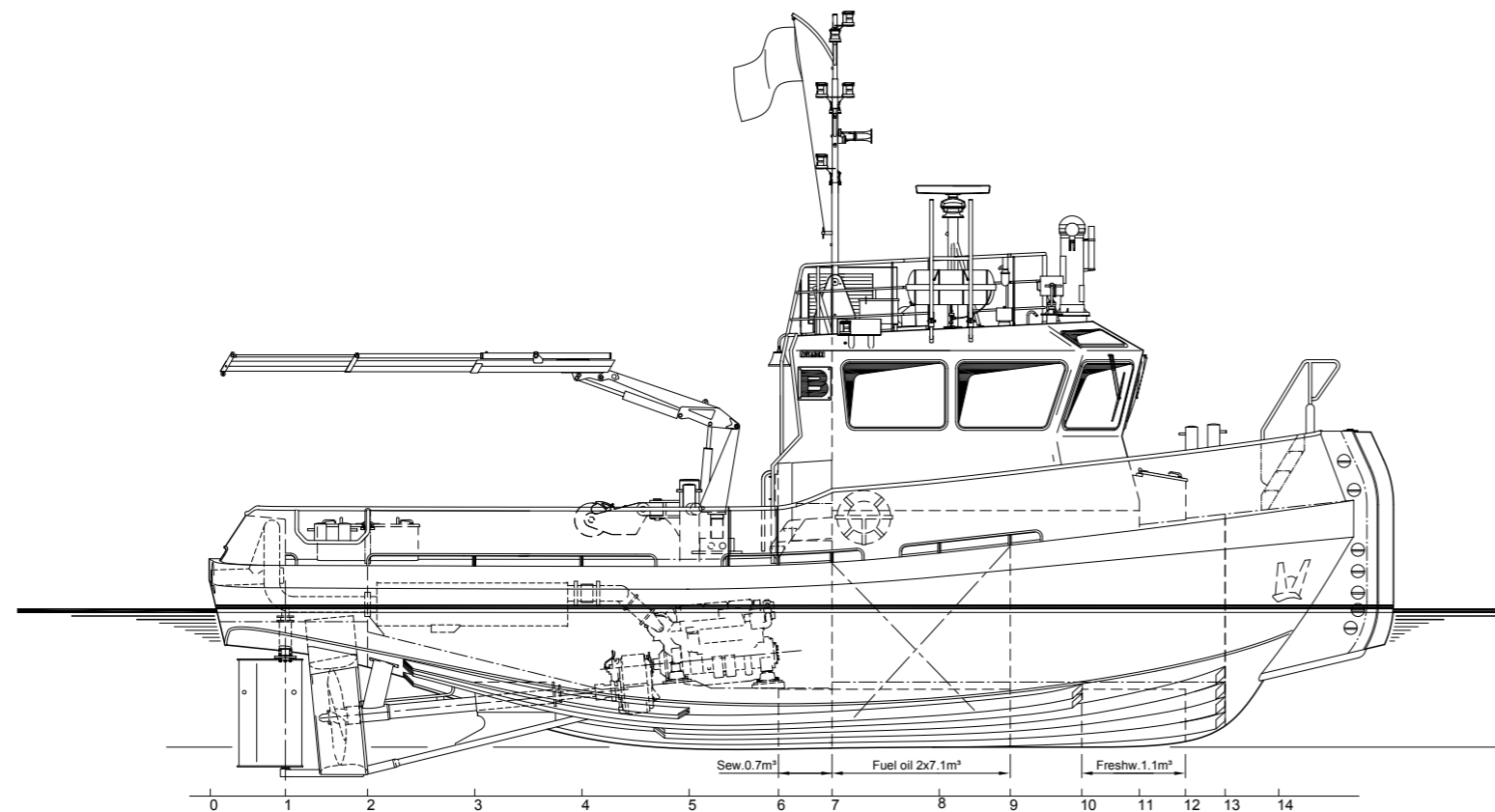
### Communication Equipment

ACMA Class B

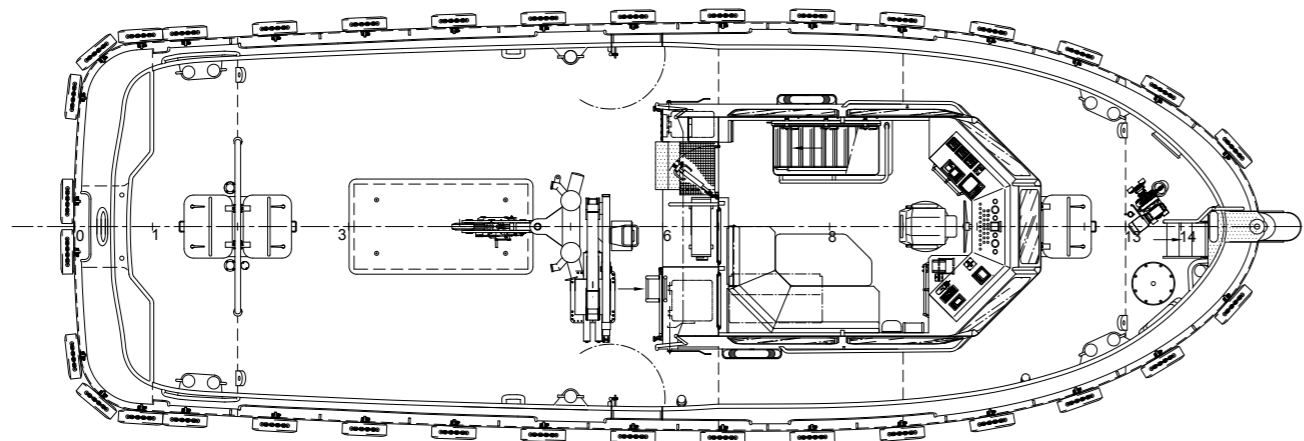
Updated 7.12.09

### PB Towage

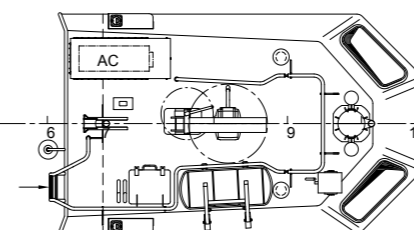
7/F, Hutchison House, 10 Harcourt Road, Central, Hong Kong.  
Tel: (+852) 2233 7000 E-mail: [pbtowage@pacificbasin.com](mailto:pbtowage@pacificbasin.com) Website: [www.pbtowage.com](http://www.pbtowage.com)



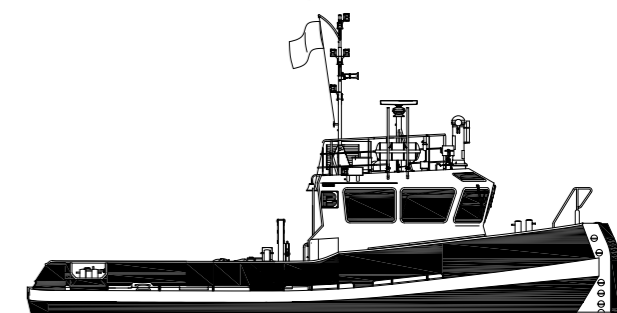
**Below Maindeck**



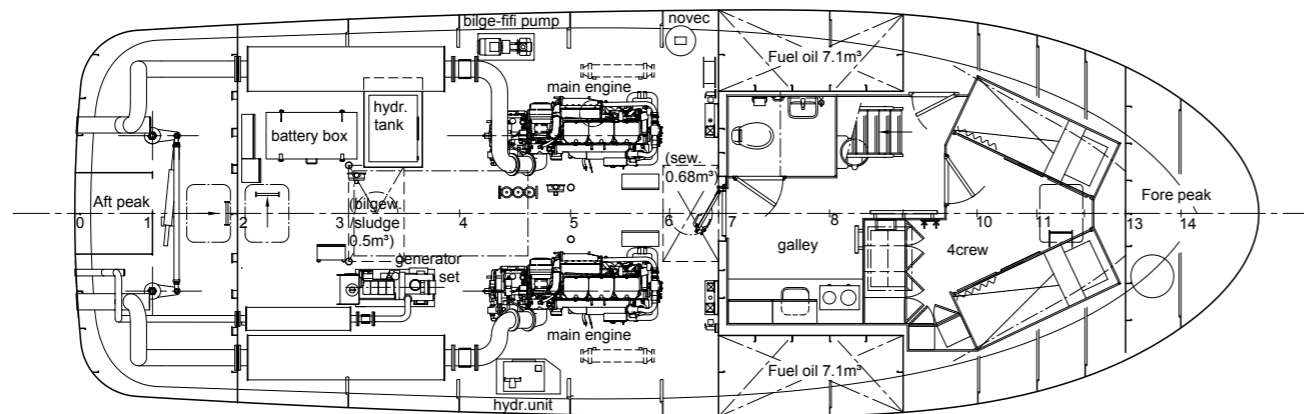
**Topdeck**



# Damen Stan Tug 1606

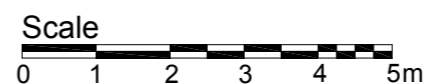


**Maindeck**



**Principal dimensions:**

Length o.a.	16.56 m
Beam o.a.	5.54 m
Depth at sides	2.54 m
Draught aft (approx.)	2.35 m



approved	date	<b>DAMEN</b> DAMEN SHIPYARDS GORINCHEM <small>Industrieterrein Avelingen West 20 P.O. Box 1 phone +31 (0)183 63 99 11 info@damen.nl          4202 MS Gorinchem 4200 AA Gorinchem fax +31 (0)183 63 21 89 www.damen.nl          The Netherlands</small>	
<p align="center"><b>General arrangement</b></p>			
<small>The information and data contained herein are proprietary to Damen Shipyards and are not to be copied, reproduced, duplicated or disclosed to others, in whole or in part without prior written consent of Damen Shipyards.</small>		drawn : <b>L.de J.</b> ship type : date : <b>11-05-2009</b> A1 scale : <b>1:50</b> ACAD   S	yard number(s) : <b>503121-503124</b> derived fr. draw. no. : draw. no. : <b>503121-01/P234155</b>